

Burford® Burford Tagger®

MODEL TGR200 RIGHT HAND

Advertising where it is proven most effective - at the point of sale. The new Burford Tagger® allows you to reach consumers with marketing materials like never before. Coupons, logos, even cross-market promotions can be fully integrated in the most user friendly closure on the market.

MODEL TGR200 RIGHT HAND
SHOWN



PRACTICAL SOLUTIONS THROUGH INNOVATIVE TECHNOLOGIES

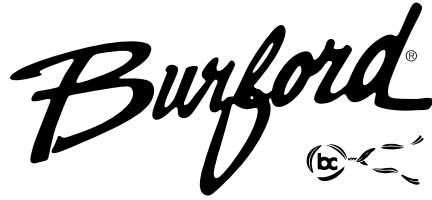
Burford®
(bc)

CALL US TODAY 1-877-BURFORD (287-3673)

P.O. Box 748 • Maysville, OK 73057 • Telephone (405) 867-4467 • Fax (405) 867-4219 • e-mail: sales@burford.com • web site: www.burford.com

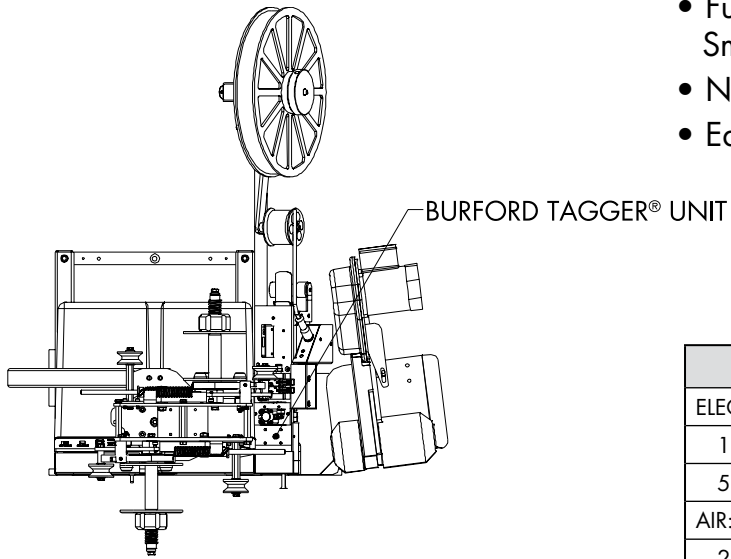
Copyright © Burford Corp. All rights reserved. Burford Corp. is a registered trademark with the US Patent & Trademark Office.

BURFORD TAGGER® TGR200



Options

- High Visibility Marketing Space
- Point of Sale Coupon Application
- Full Integration with the Burford Smart Servo Tyer
- No Operator Adjustments Required
- Easy Load - Spool Wound Tags



SPECIFICATIONS	
ELECTRICAL:	
110/220 VOLT, 50/60 HZ, SINGLE PHASE	
5 AMPS MAX	
AIR:	
2 CFM @ 50-60 PSI	

