

# Burford® Spray Applicator

## MODEL 824-02 - RIGHT HAND, MODEL 825-02 - LEFT HAND

The Model 824-02 Spray Applicator is designed to spray a variety of liquids directly onto the tops of products to provide a unique look. This system can be ordered for spot spraying or for continuous coverage.



Model 824-02 shown with optional chiller, cantilevered spray arm, & conveyor

- Portable cart
- Sanitary fluid path
- Re-circulation loop
- Jacketed and insulated stainless steel tank
- Low pressure wash-down design



PRACTICAL SOLUTIONS THROUGH INNOVATIVE TECHNOLOGIES



CALL US TODAY 1-877-BURFORD (287-3673)

P.O. Box 748 • Maysville, OK 73057 • 1-405-867-4467 • Fax 1-405-867-4219 • e-mail: [sales@burford.com](mailto:sales@burford.com) • website: [www.burford.com](http://www.burford.com)

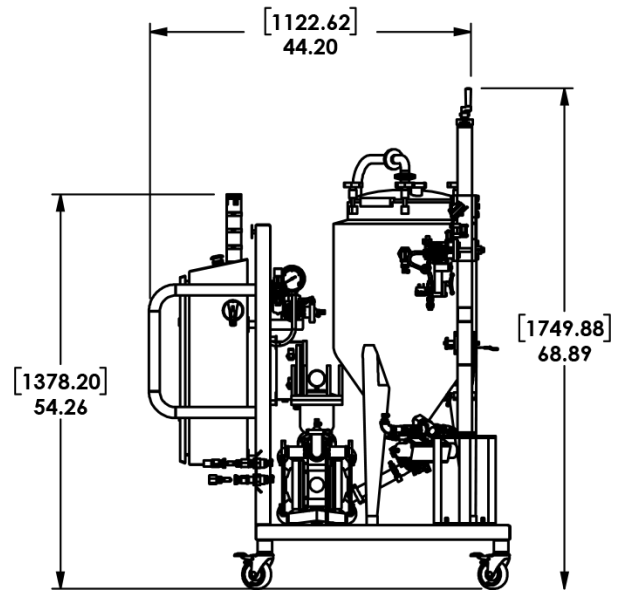
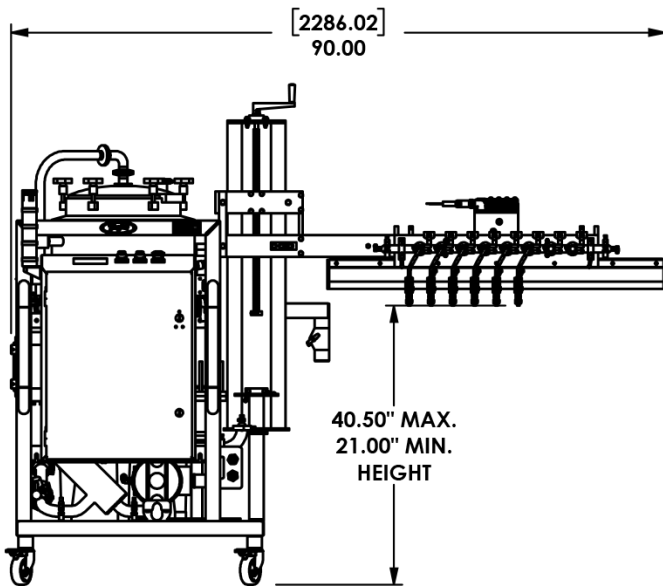
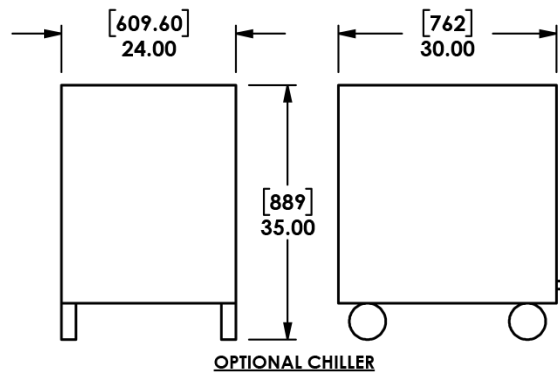
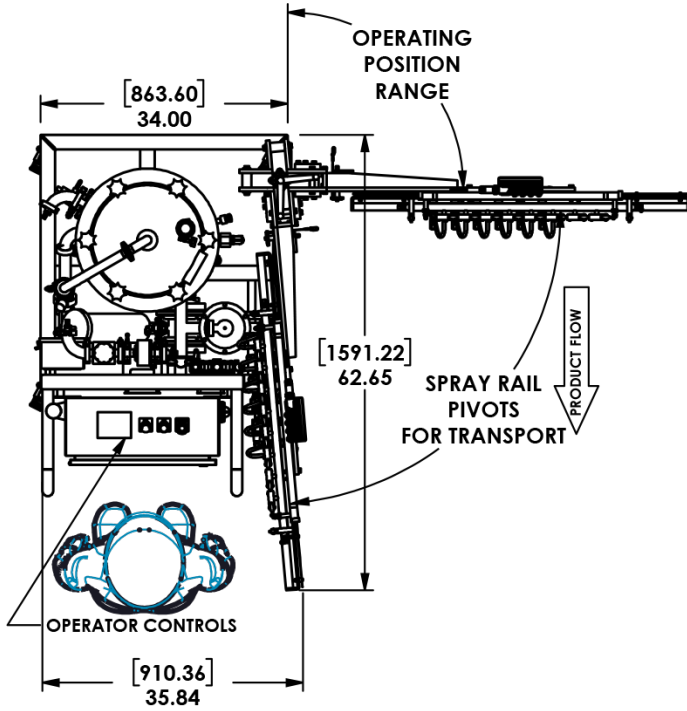
Copyright © Burford Corp. All rights reserved. Burford Corp is a registered trademark with the US Patent & Trademarks office.

# SPRAY APPLICATOR



## Options:

- Chiller
- Conveyors
- Vision System
- Mist Collection
- Electrical Requirements
- Cantilever Spray Arm
- Additional Spray Nozzles



## SPECIFICATIONS

### ELECTRICAL:

115 VOLT, 60HZ, 1 PHASE, 10 AMPS

### AIR:

80 PSI @ 3 CU FPM